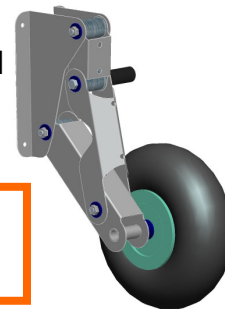
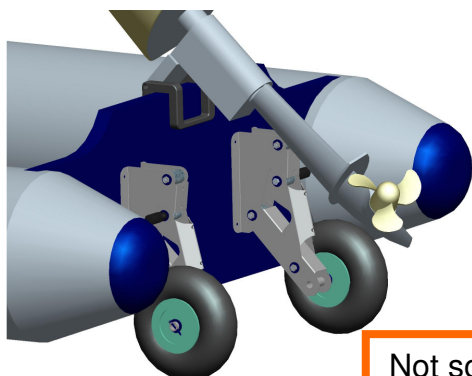


Launch wheels Design protected



Stainless steel
salt water quality.



260 mm pneumatic wheels move easily on rough ground.

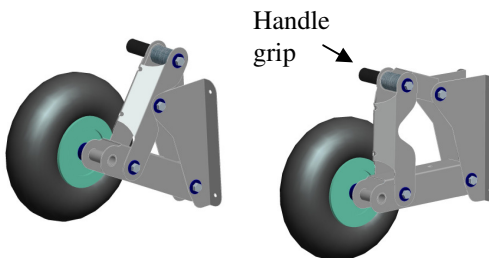
Not so deep below bottom. Easier launch with "dry feet" on shallow beaches.

Convenient when launching or hauling when on your own. Have you tried to lift an inflated boat yourself? And you wouldn't want to drag it on rough surfaces, would you?

Self locking – no catches

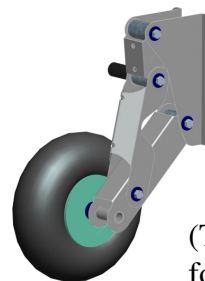
Up: 2 seconds
Down: 2 seconds

Up



Handle grip

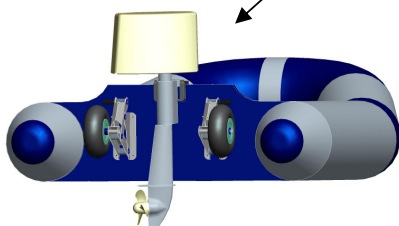
Down



(The real rim is black, for uv light stability)

Can remain on transom without obstructing. The motor is free to turn around 180° during reverse (for no-gear motors).

Space for turn around



Suitable for at least 100 kg load.
Weight appr: 5,4 kg/pair

Can of course also be used on many kinds of smaller boats.

perneborn teknik

teknisk problemlösning och innovation

<http://www.perneborn.se>
robert@perneborn.se

perneborn teknik
Lindhultsgatan 20
SE-41674 Göteborg, Sweden
tel +46706-640947
org.nr.5605165132
momsreg/VAT: SE560516513201
Bg.nr. 5021-8403